

# POOCH SNOOZE



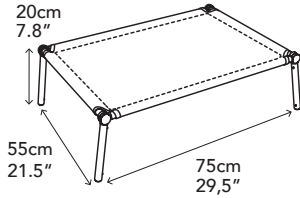
## ELEVATED PET BED ASSEMBLY GUIDE

Thank you for purchasing the  
Pooch Snooze Elevated Pet Bed.

Whilst every effort has been made to ensure this guide contains the correct instructions and operating procedures, please visit our website to ensure you have the latest product information and instructions by scanning the QR code or visiting:  
[www.poochsnooze.com/elevated-dog-bed-instruction-manual](http://www.poochsnooze.com/elevated-dog-bed-instruction-manual)



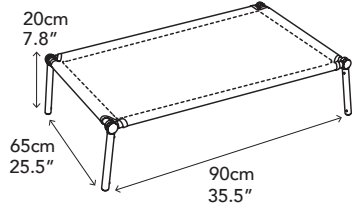
Sold separately to match your Pets size & preference.  
Please ensure weight guidelines are followed per  
Pooch Snooze Elevated Pet Bed



**Small**



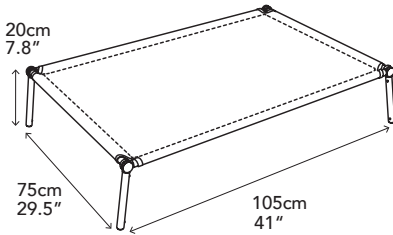
20kg / 44lbs



**Medium**



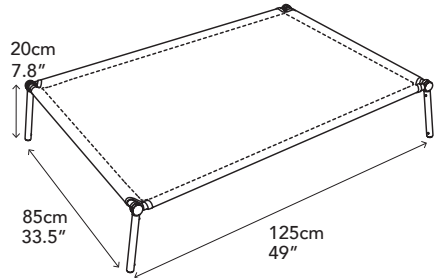
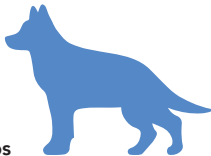
40kg / 88lbs



**Large**



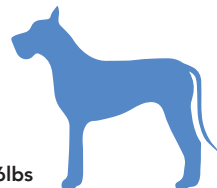
60kg / 132lbs



**Extra Large**



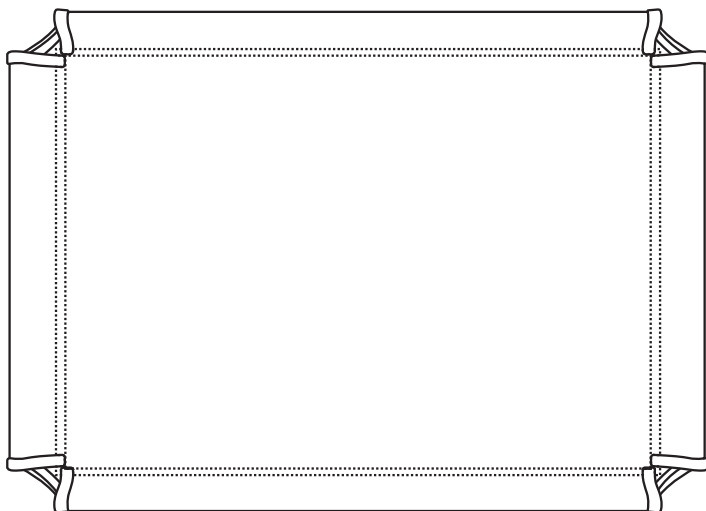
80kg / 176lbs



For other related products, visit  
[www.poochsnooze.com](http://www.poochsnooze.com)

This package contains everything you need to assemble your new pet bed

COVER



POLE 1



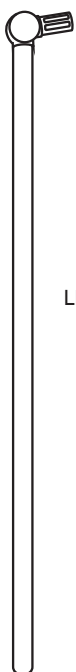
LEG L1



LEG L3



POLE 2



LEG L2



LEG L4



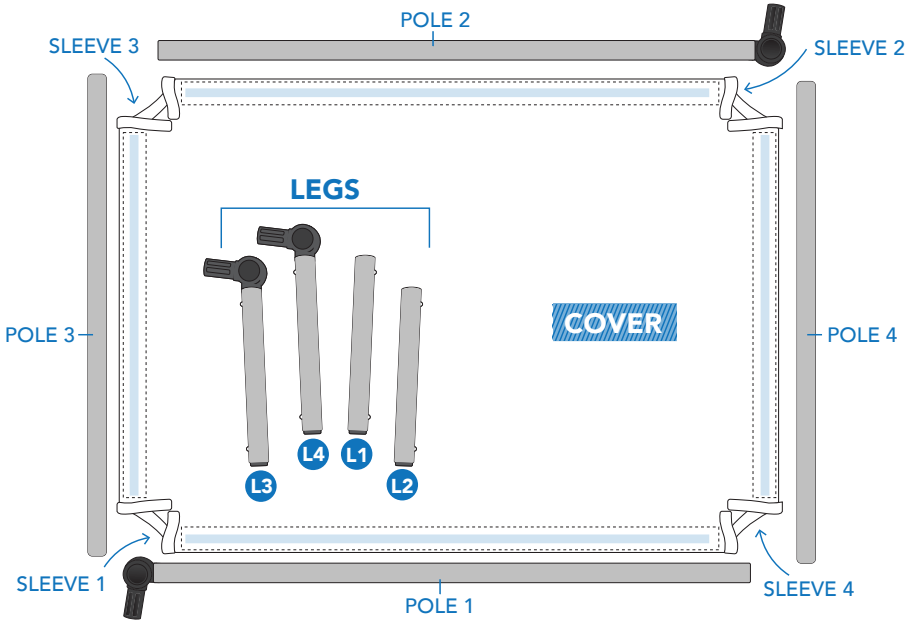
POLE 3



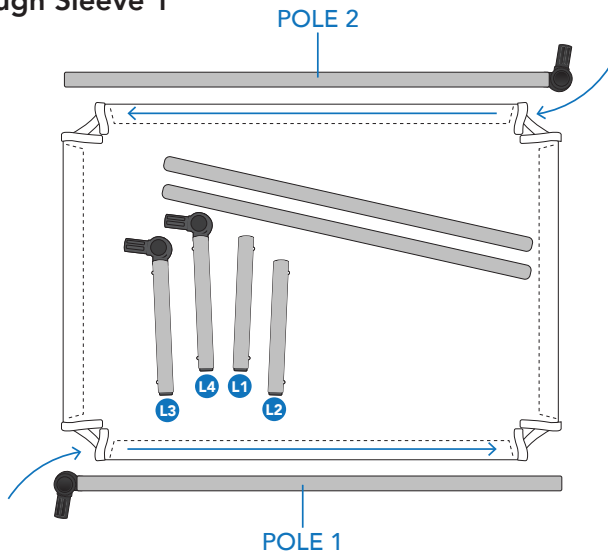
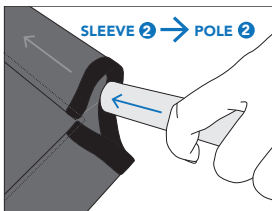
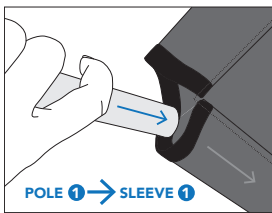
POLE 4



# 1. Place all items on floor as shown in diagram

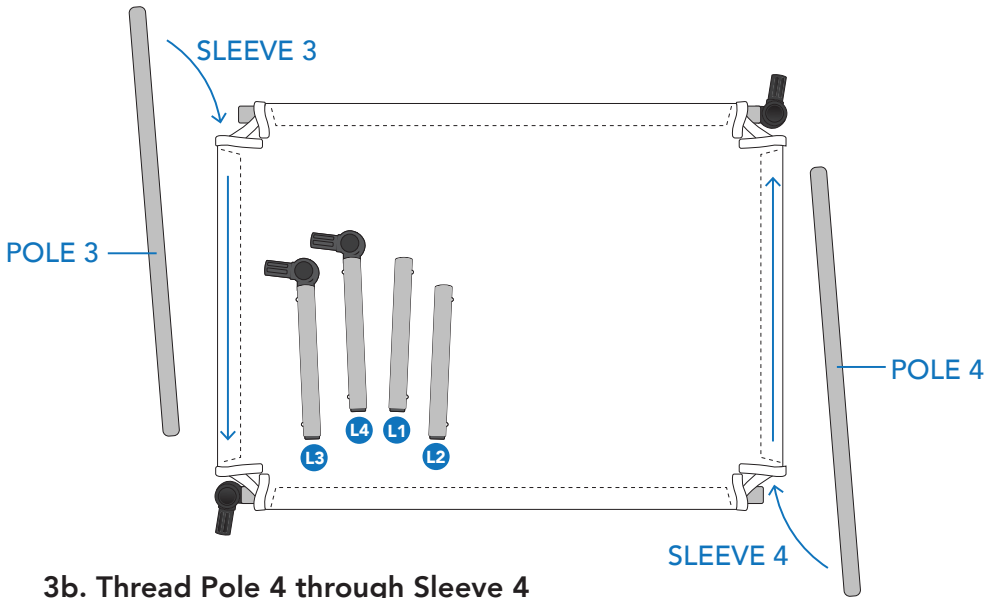


## 2a. Thread Pole 1 Through Sleeve 1



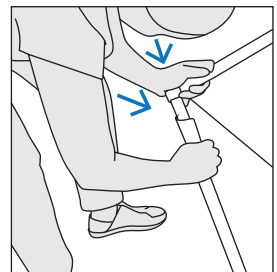
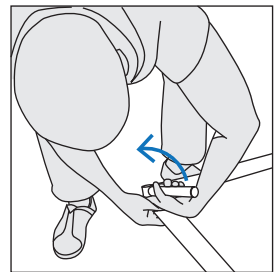
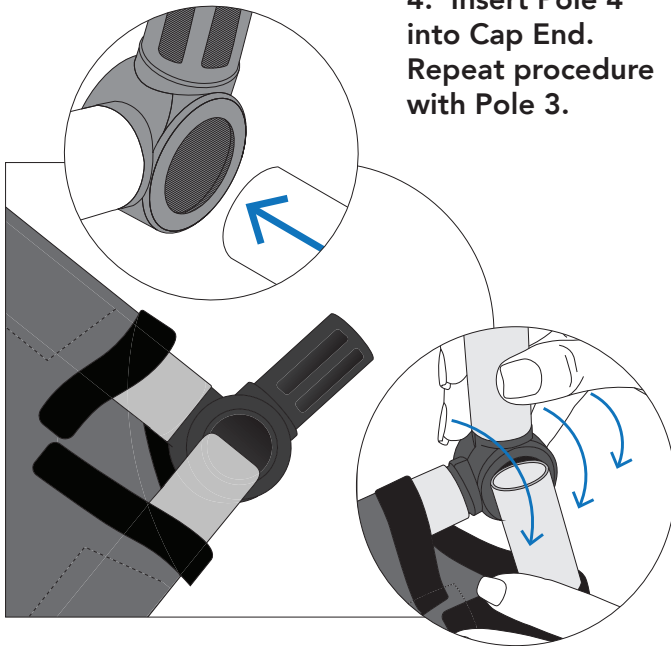
## 2b. Thread Pole 2 Through Sleeve 2

### 3a. Thread Pole 3 through Sleeve 3



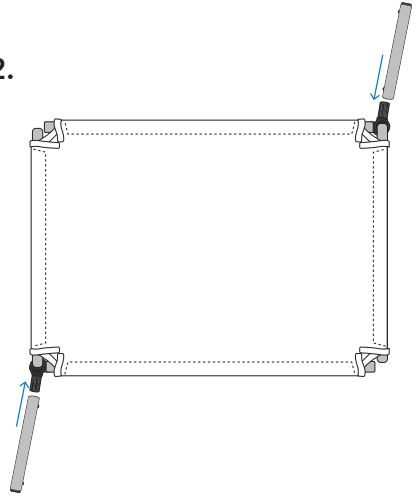
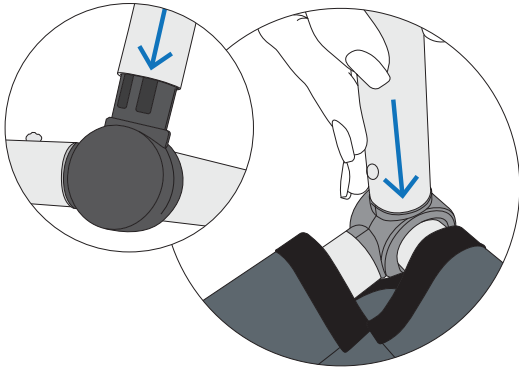
### 3b. Thread Pole 4 through Sleeve 4

4. Insert Pole 4 into Cap End. Repeat procedure with Pole 3.

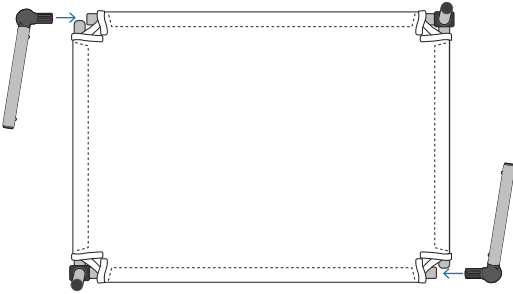


Swivel into place & Press on Cap End

**5. Connect Legs L1 & L2 to Poles 1 & 2.**

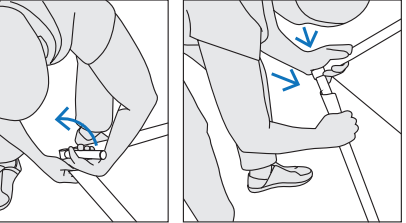


**6a. Connect Leg L3 into Pole 2 & Pole 3.**



**6b. Connect Leg L4 into Pole 1 & Pole 4.**

The last connection will be a bit tight, it is designed as such to ensure the cover is tightly fitted. Roll Cap End into the end of the remaining Pole.

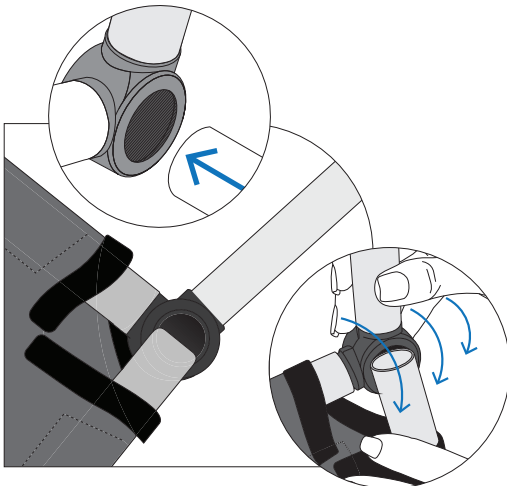


**Roll into place & Press on Cap**

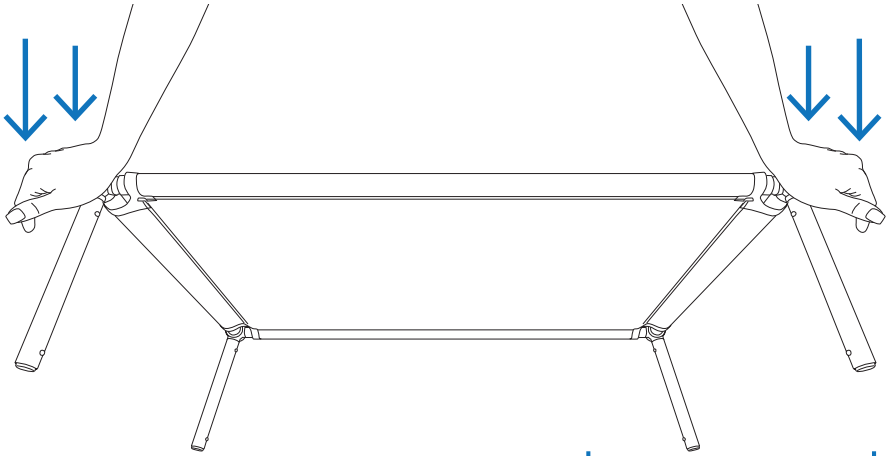


**PINCH HAZARD**

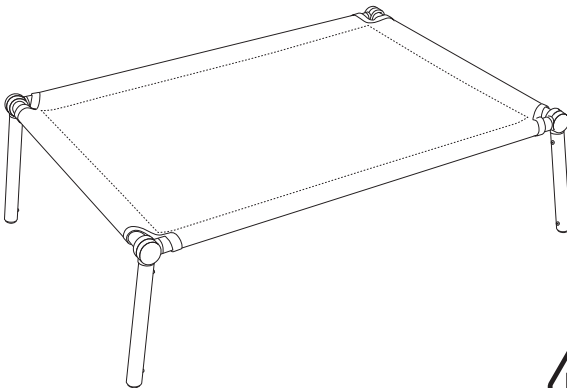
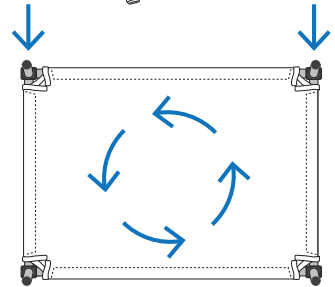
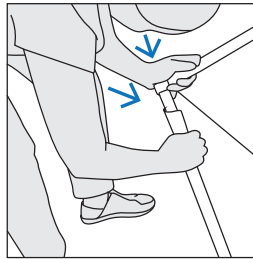
ASSEMBLE PRODUCT WITH CAUTION  
TO AVOID PINCHING / AMPUTATION



7a. Once all legs are connected, place the Pet Bed on its side and press firmly on each of the Cap Ends.



7b. Rotate the bed 180° & press firmly on Cap Ends.



8. Place on a level surface and out of common walking paths.



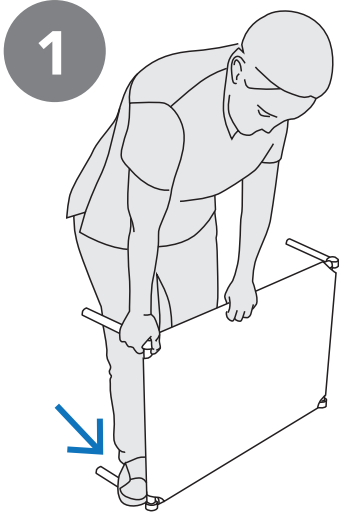
**USE ON LEVEL GROUND**

SAFE USAGE IS DEPENDENT ON STABLE AND LEVEL SURFACE.

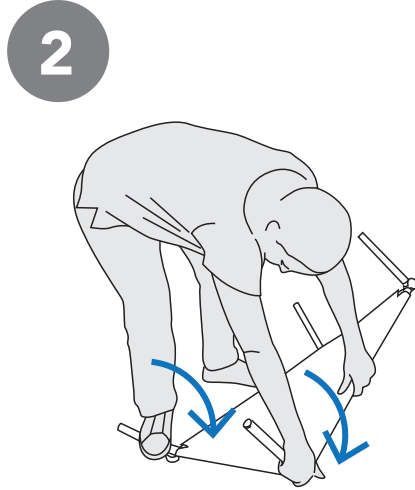
We hope that your pet enjoys this product.

To disassemble the pet bed, follow these prompts.

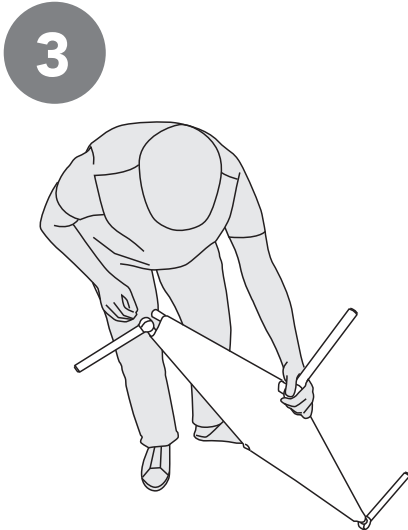
These actions should be performed with maximum caution



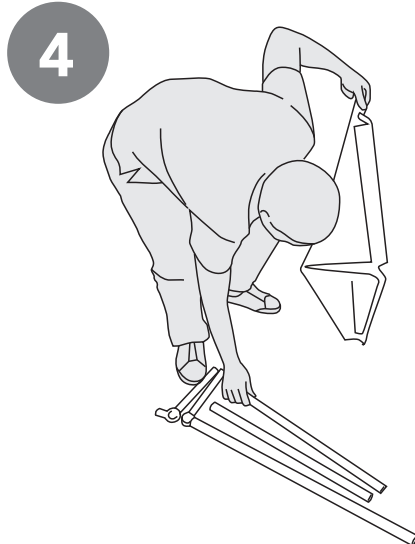
1. Hold horizontally on level surface and place foot over Leg 1



2. While pressure is on Leg 1, lift to disengage the plastic connector & firmly push the frame towards the floor until leg 1 is disconnected



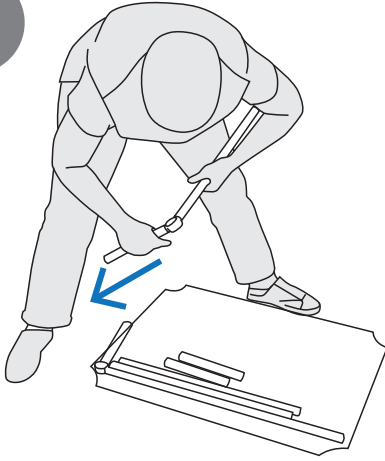
3. Carefully remove Poles from Cap Ends



4. Remove all Poles from the cover

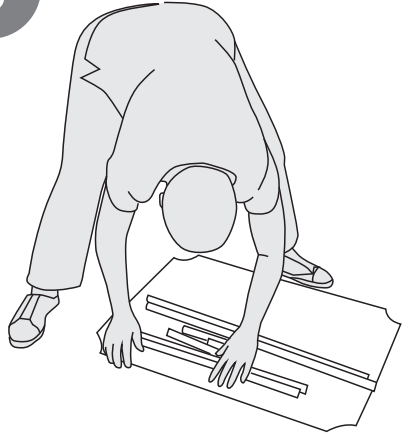


5



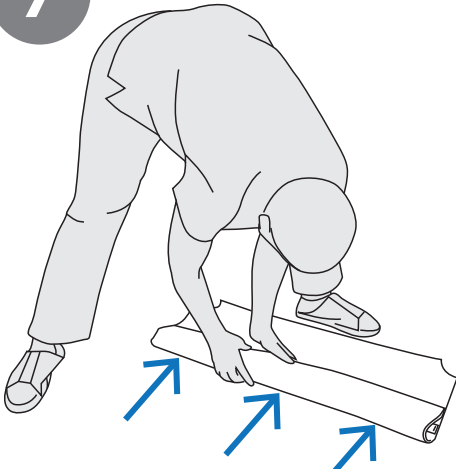
5. Carefully remove  
Legs L1 & L2 from  
Poles 1 & 2

6



6. Line the poles up  
on top of the empty  
cover

7



7. Roll up the cover and  
place into packaging

# COVER SPECS : SS08 600D

Fibre Composition	100% polyester
Construction	1/1 114*47
Shrinkage Max	3%
Colour fastness to washing	Min 4
Yarn	Filament 600D*300



## How to care for the Pooch Snooze Elevated Pet Bed



## Use this product with caution and at your own risk



**KEEP CHILDREN AWAY**  
THIS IS NOT A TOY, PRODUCT SHOULD BE USED AS INTENDED



**DON'T EXCEED WEIGHT LIMIT**  
REFER TO PACKAGING FOR MAXIMUM LOAD WEIGHT & DO NOT EXCEED.



**CHOKING HAZARD**  
CONTAINS SMALL PARTS WHICH COULD BE SWALLOWED.



**TRIPPING HAZARD**  
STORE ITEM OUT OF COMMON PATHS TO ENSURE SAFE USAGE.

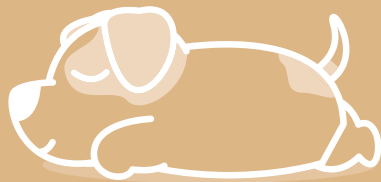


**PINCH HAZARD**  
ASSEMBLE PRODUCT WITH CAUTION TO AVOID PINCHING / AMPUTATION



**USE ON LEVEL GROUND**  
SAFE USAGE IS DEPENDENT ON STABLE AND LEVEL SURFACE.





POOCH SNOOZE

[www.poochsnooze.com](http://www.poochsnooze.com)